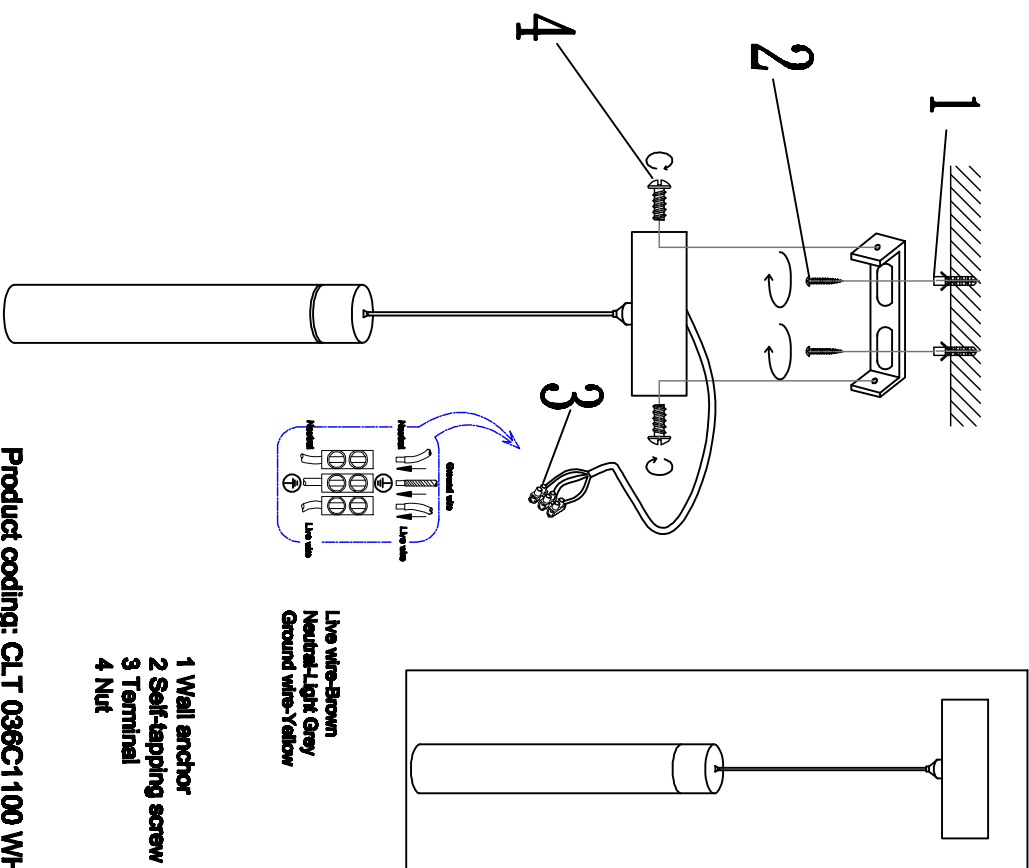


ENGLISH

Specification of installation

In order to ensure safety use, please notice the following items:

- Read and understand the whole Specification.
- Suitable for the use of 220-240V and 50-60Hz.
- Please wear gloves as installment and avoid rot on the surface of plating.
- Must be installed on the fixed phase and be checked annually.
- Please turn off the lighting source by soft switch as cleaning prohibited to use of roted detergent.
- Please connect with the local sales service center when there are any abnormally.



CEILING PAN SIZE:

D 60

H 35

FIGURE SIZE:

